

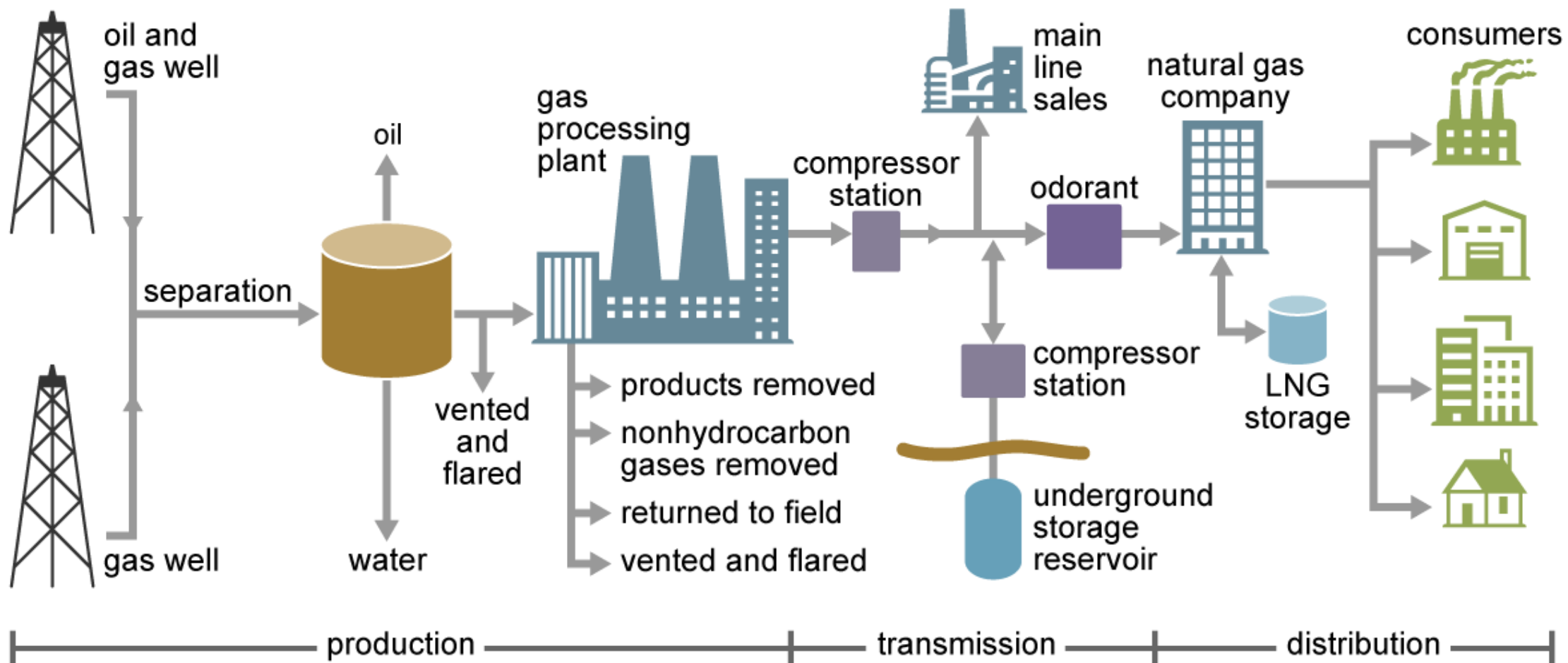
Gas Compression Fugitive Emissions



SOMMER
ENERGY TECHNOLOGIES

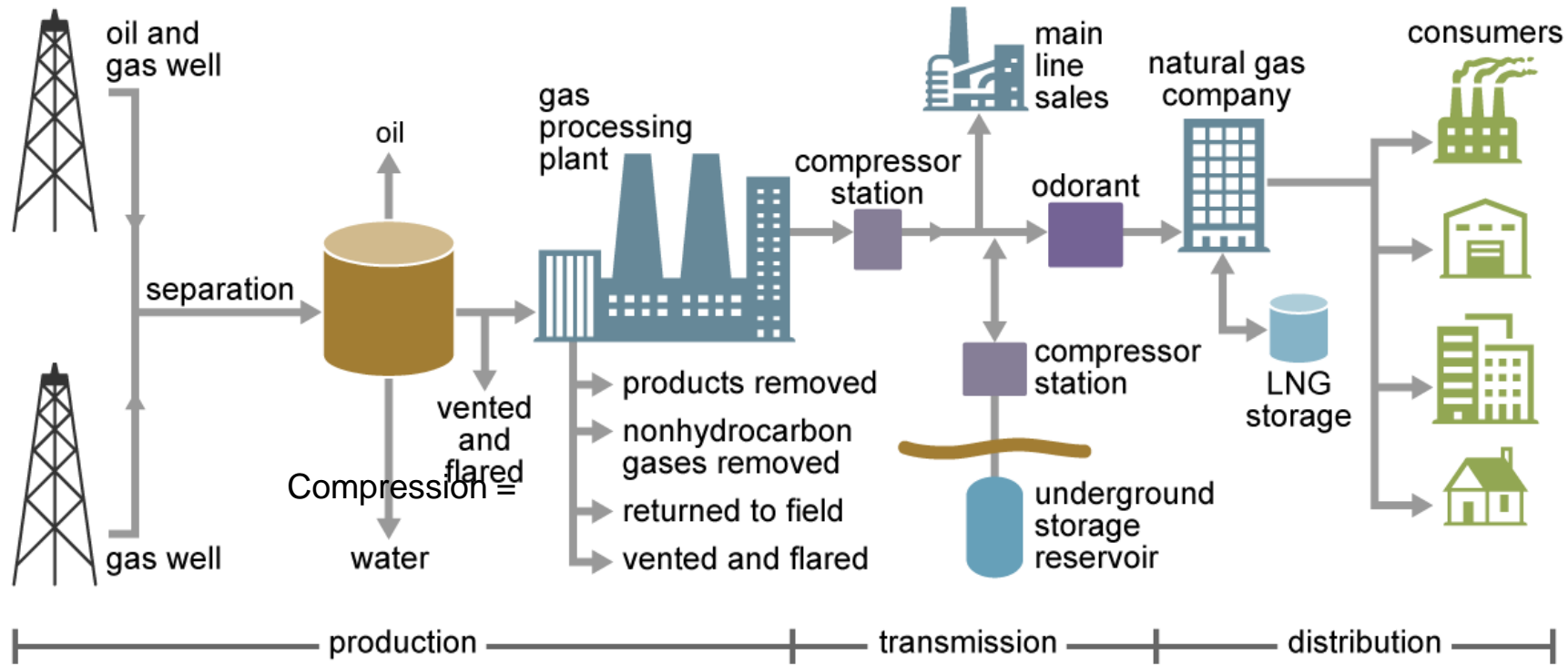
Mark Sommer
mark@sommerenergytech.com

Natural gas production and delivery



Source: U.S. Energy Information Administration

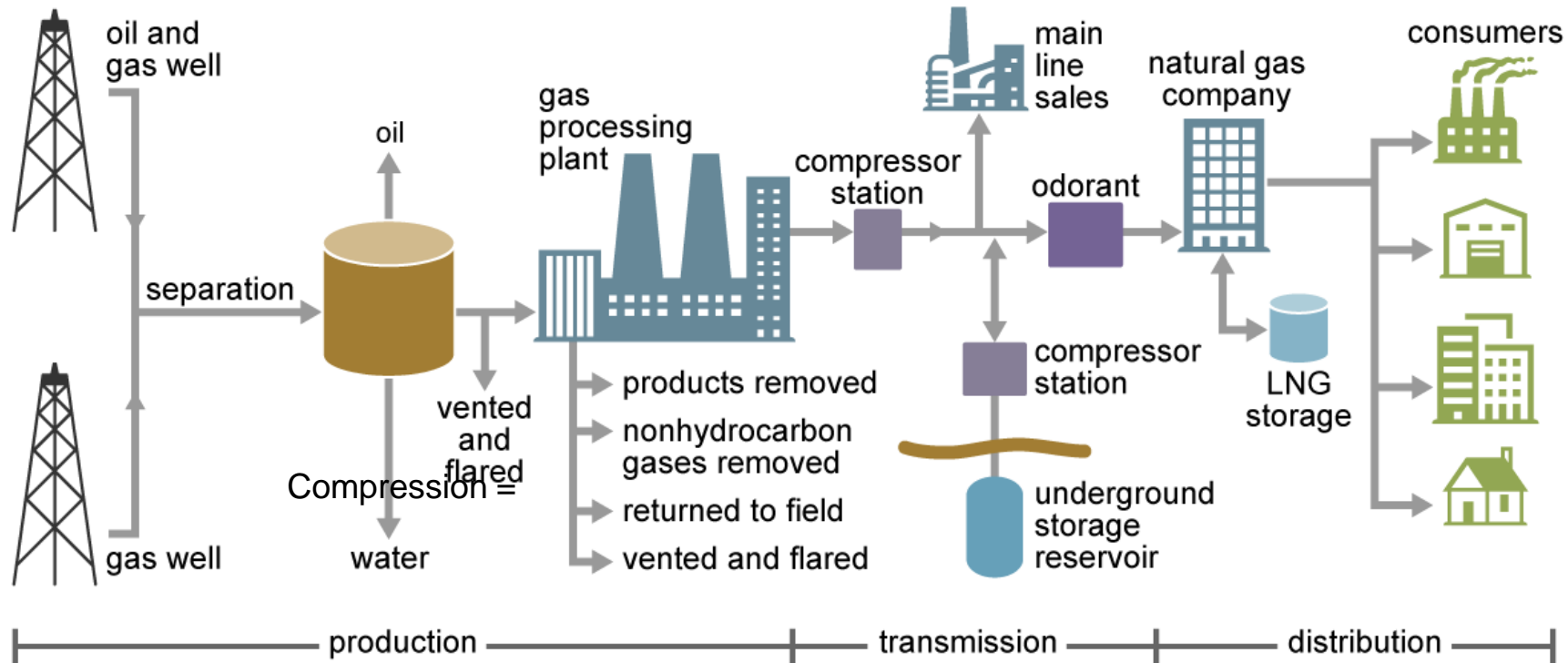
Natural gas production and delivery



Source: U.S. Energy Information Administration

Compression = ?

Natural gas production and delivery

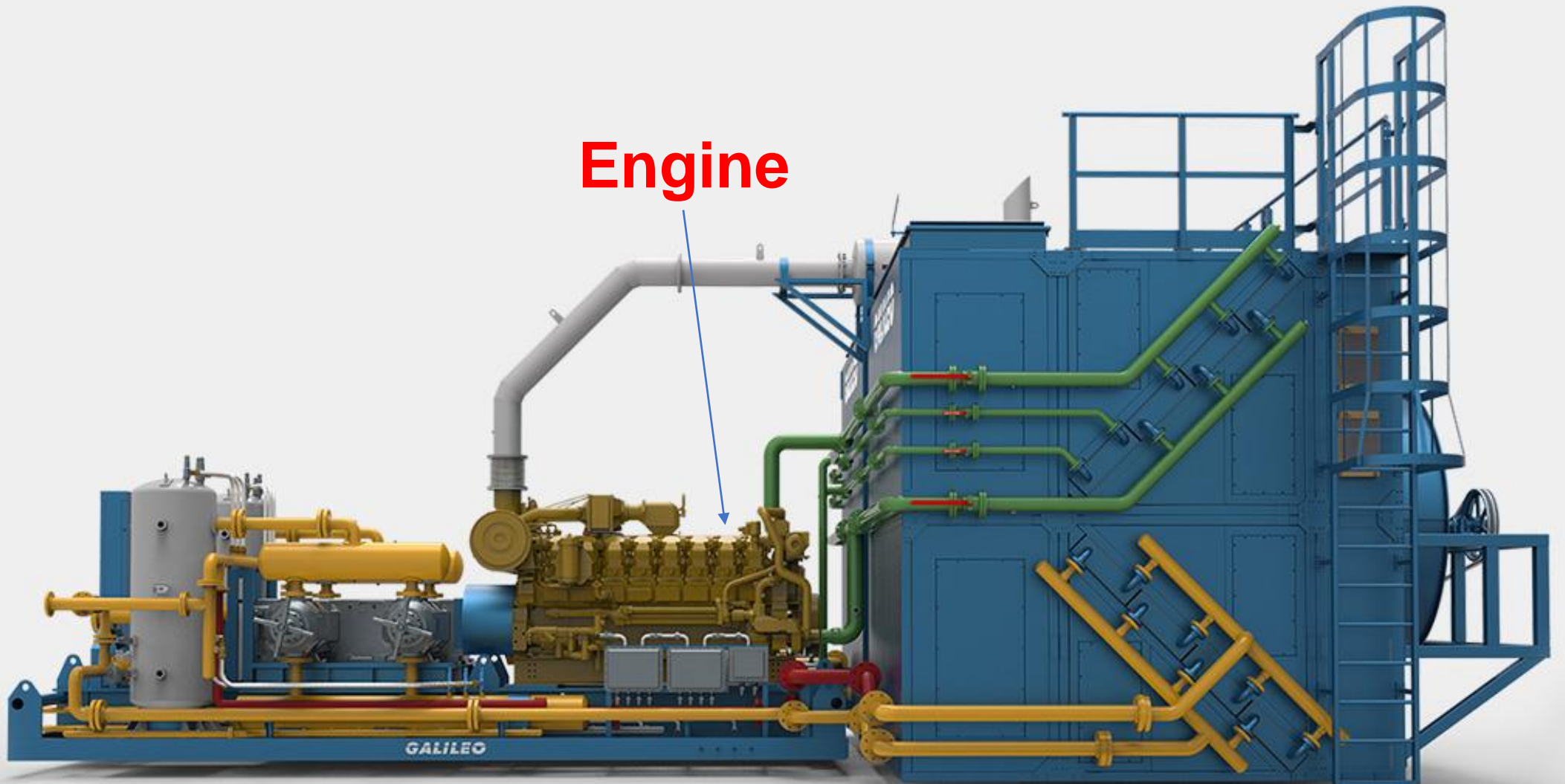


Source: U.S. Energy Information Administration

Compression = 24%

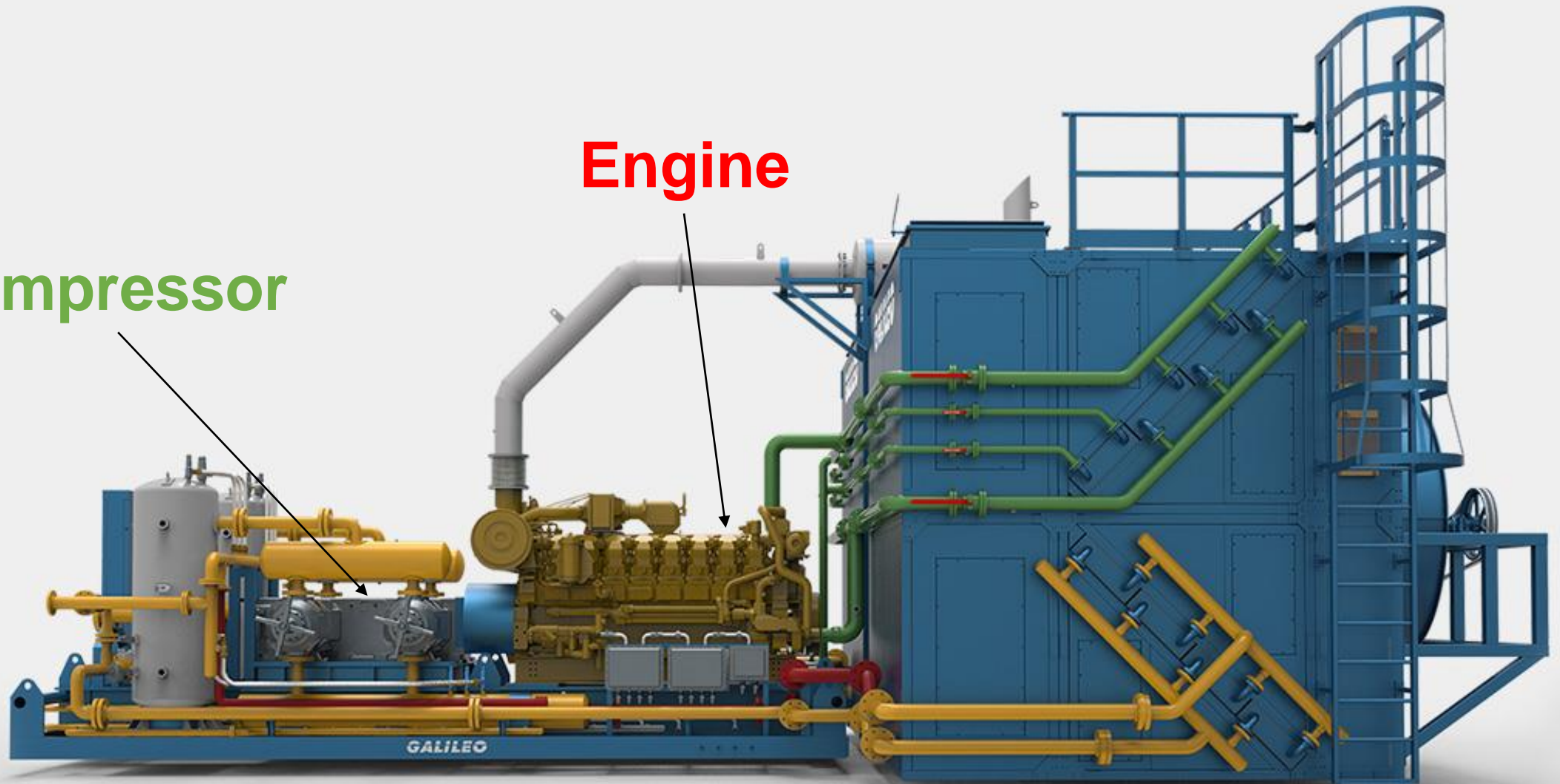


Engine



Compressor

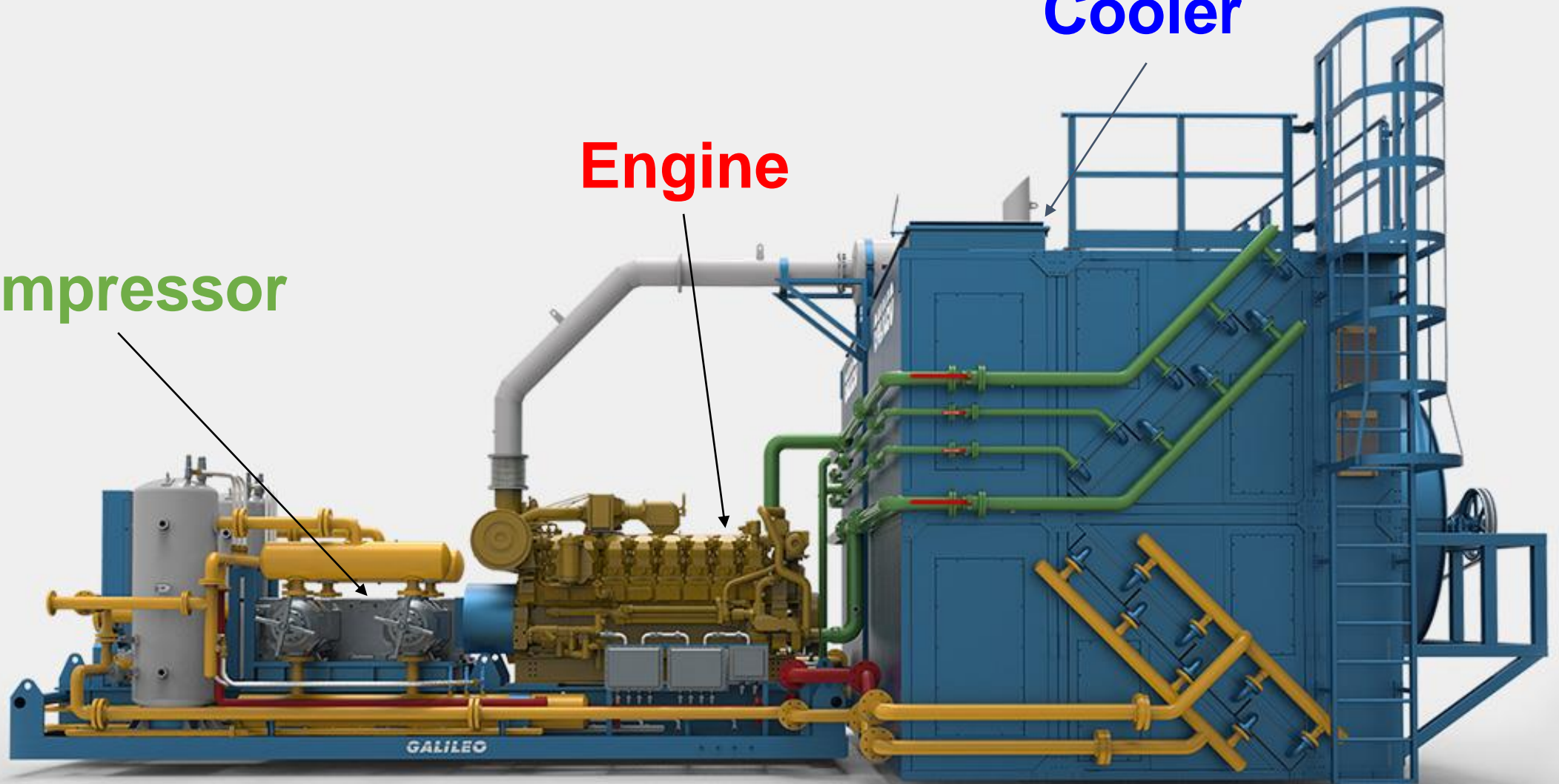
Engine

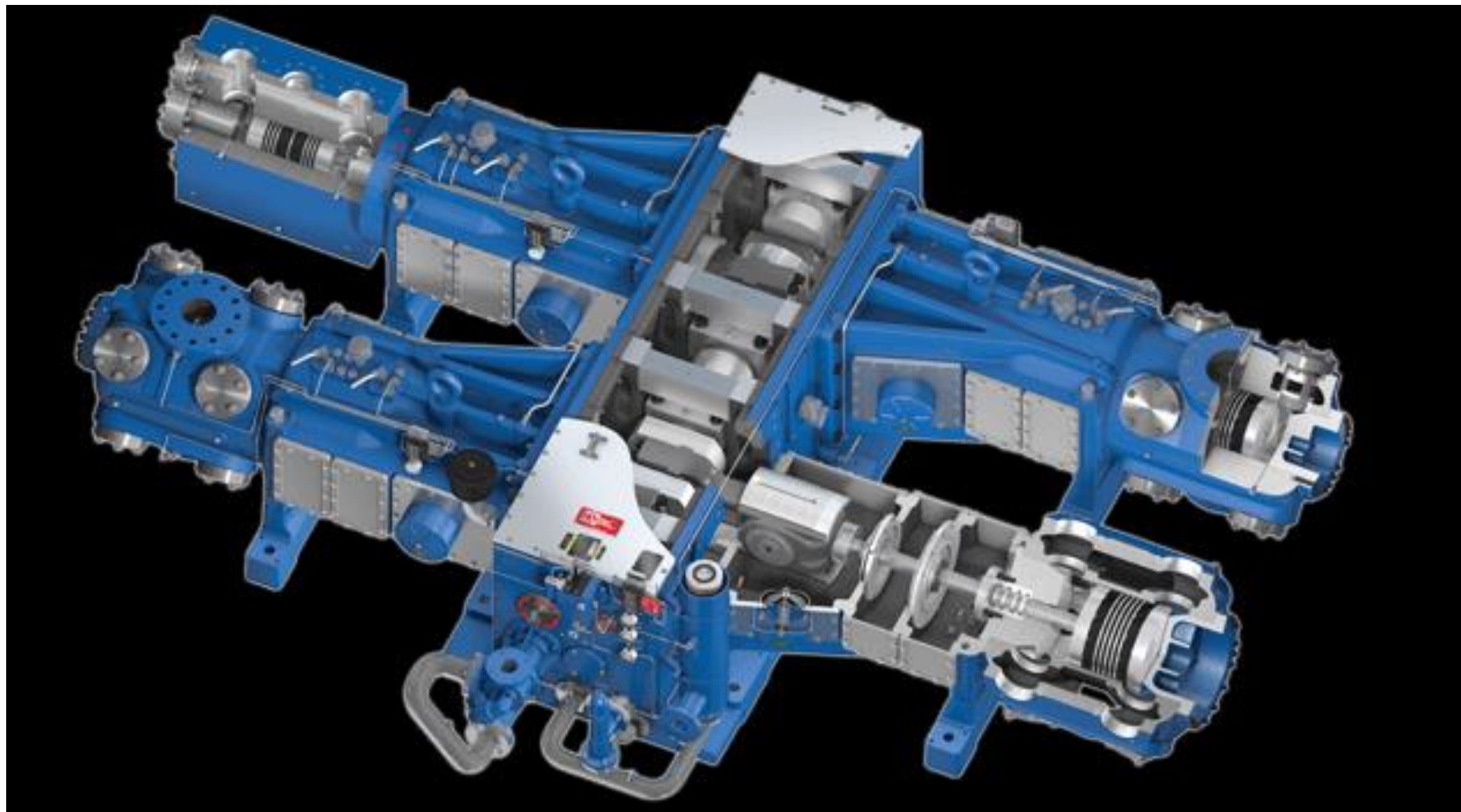


Compressor

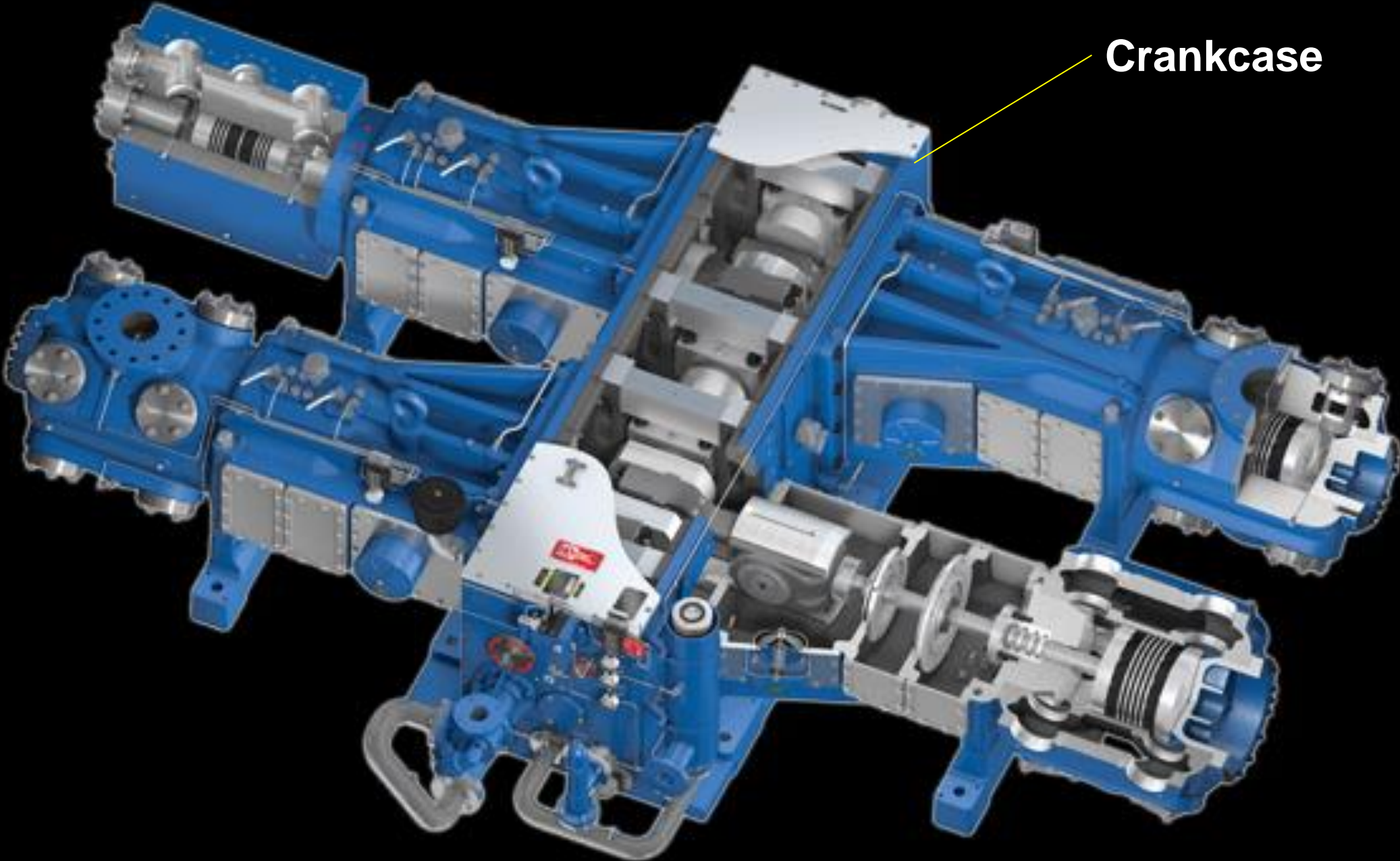
Engine

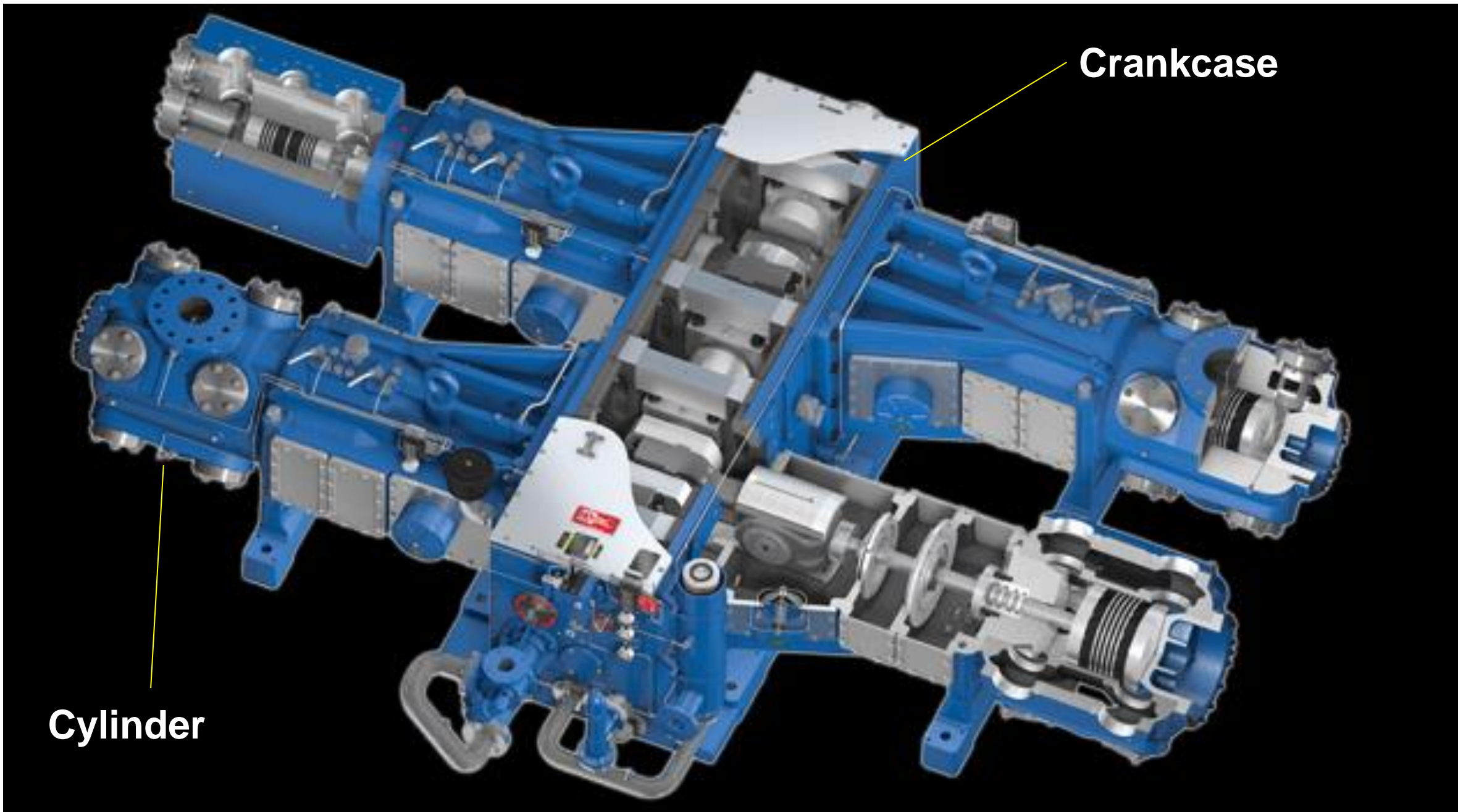
Cooler





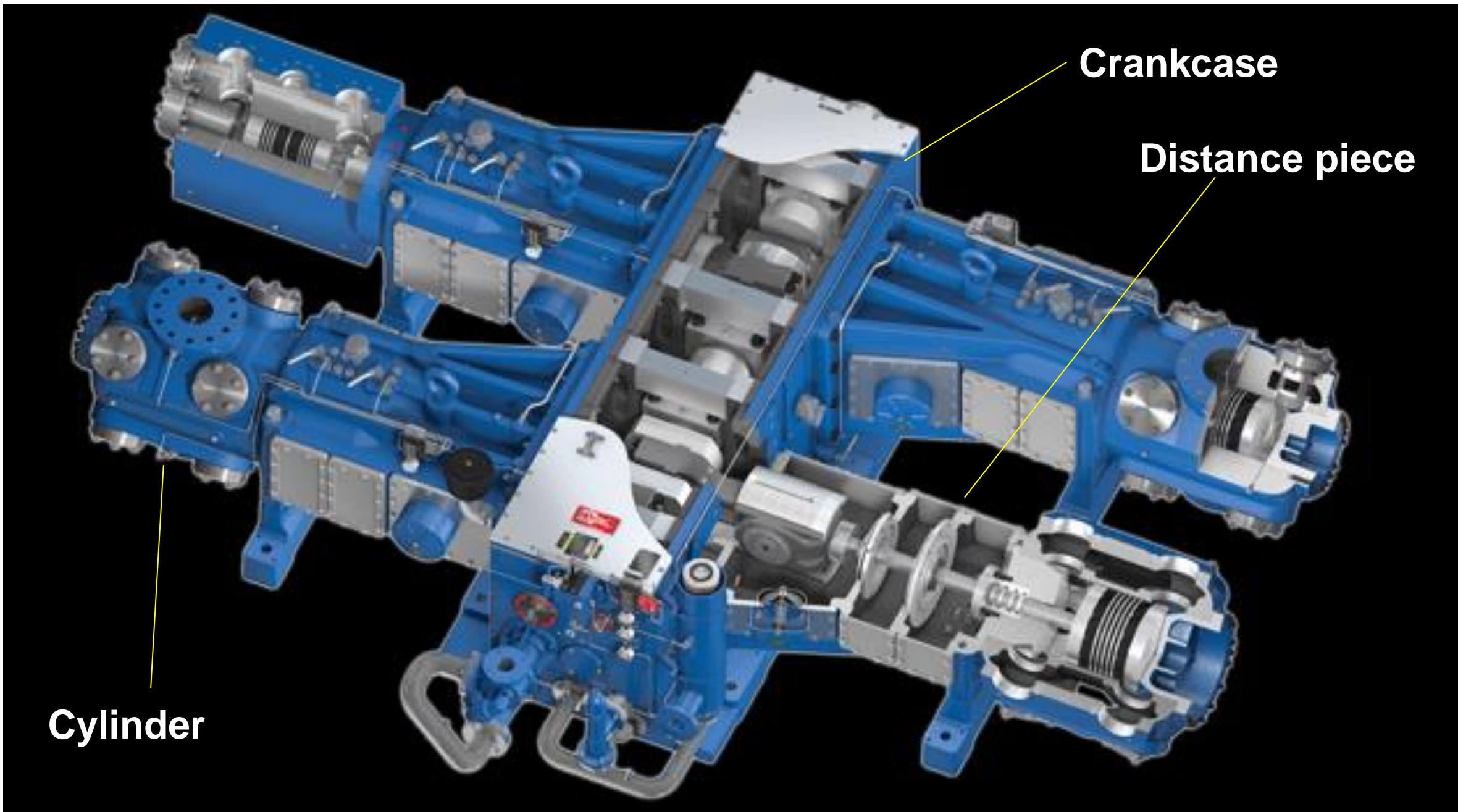
Crankcase





Crankcase

Cylinder

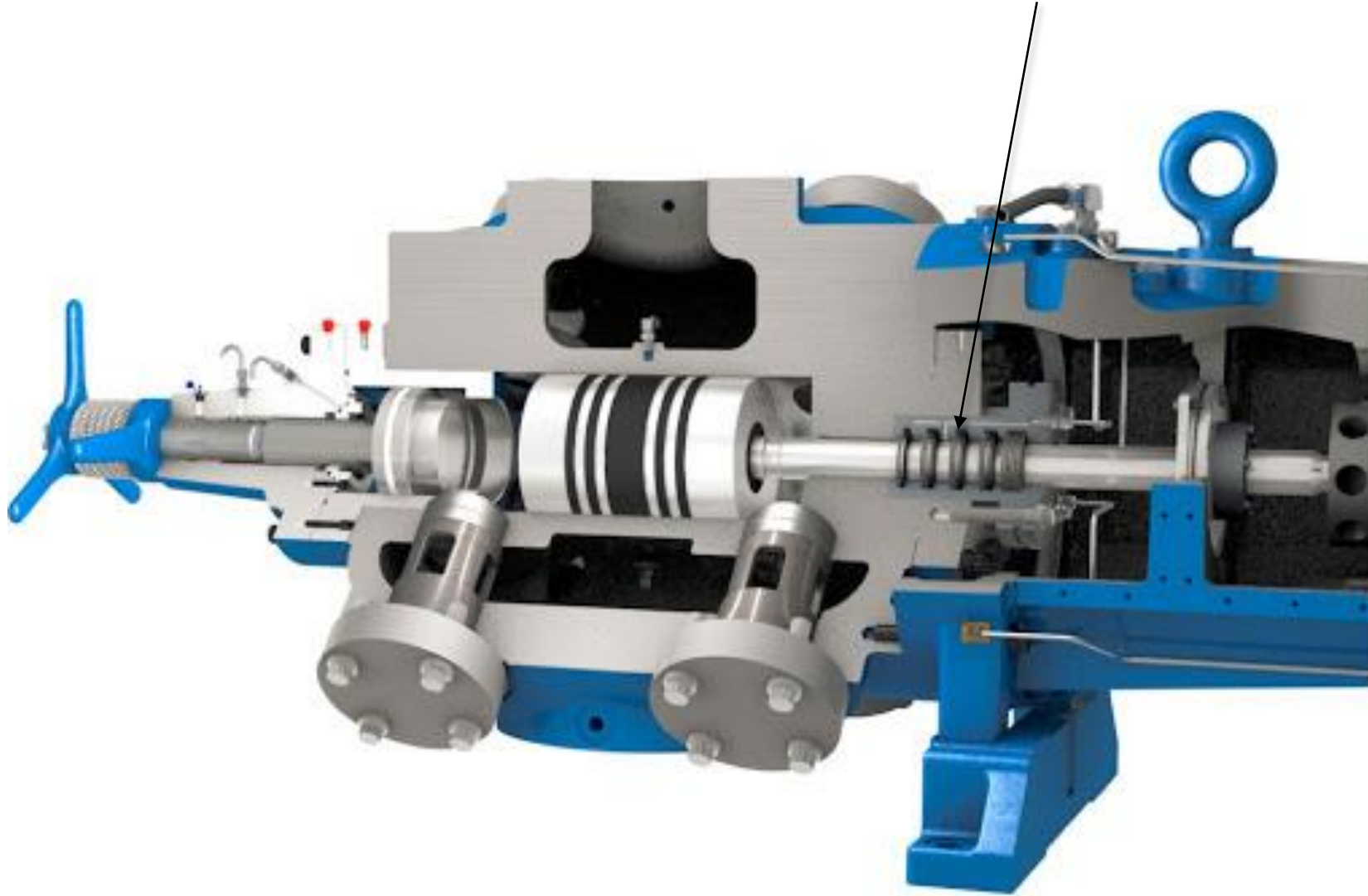


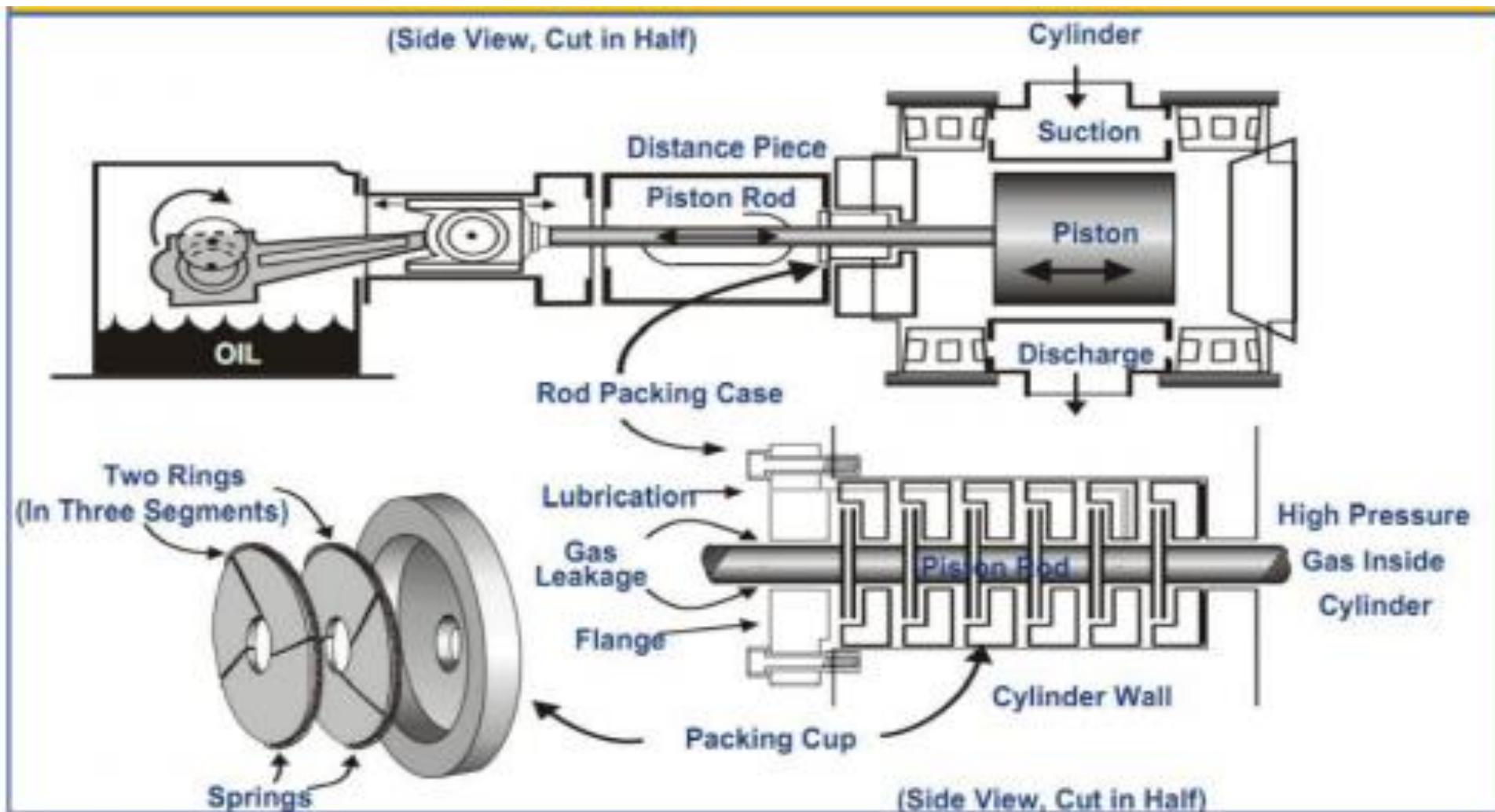
Crankcase

Distance piece

Cylinder

Packing





Rod Packing Vent Gas Recovery Unit

